

# XEVC-0311-E1R

3 GN 1/1



## DESCRIPTION

Controllable like your hand. Natural as your thoughts. Fast as your glance. This is Unox CHEFTOP MIND.Maps™, the new line of professional ovens that breaks down the barriers between your idea and the dish you serve. With a gesture. CHEFTOP MIND.Maps™ ONE stand for complete control of the cooking process and maximum creative freedom. MIND.Maps™. Personality. In a gesture.

• **Standard**    ◦ **Optional**

### MANUAL COOKING MODES

Convection cooking 30 °C - 260 °C	•
Mixed steam and convection cooking 35 °C - 260 °C, with STEAM.Maxi™ 30% to 90%	•
Mixed humidity and convection cooking 48 °C - 260 °C, with STEAM.Maxi™ 10% to 20%	•
Steaming 48 °C - 130 °C with STEAM.Maxi™ technology 100%	•
Dry air cooking 30°C - 260 °C with DRY.Maxi™ technology 10% to 100%	•
Delta T cooking with core probe	•
Core probe	•
SOUS-VIDE core probe	◦

### ADVANCED AND AUTOMATIC COOKING PROGRAMMING

MIND.Maps technology: draw cooking processes made of infinite steps with one simple touch	•
PROGRAMS: store up to 256 user's programs	•
PROGRAMS: possibility to assign a name and picture to the stored programs	•
PROGRAMS: save recipe name by writing it (in any language)	•

### AIR DISTRIBUTION IN THE COOKING CHAMBER

AIR.Maxi™ technology: multiple, reversing fans	•
AIR.Maxi™ technology: 4 air speeds, programmable	•
AIR.Maxi™ technology: 4 semi static cooking modes, programmable	•

### CLIMATE MANAGEMENT IN THE COOKING CHAMBER

DRY.Maxi™ technology: high performance moisture and humidity extraction, programmable by the user	•
DRY.Maxi™ technology: cooking with humidity extraction 30 - 260 °C	•
STEAM.Maxi™ technology: steaming 48 °C - 130 °C	•
STEAM.Maxi™ technology: combination of moist air and dry air 35 °C - 260 °C	•

### DOUBLE STACK COLUMN

MAXI.LINK technology: allows double-stack oven columns to be created	•
--	---

### THERMAL INSULATION AND SAFETY

Protek.SAFE™ technology: maximum thermal efficiency and working safety (cool door glass and external surfaces)	•
Protek.SAFE™ technology: fan impeller break to contain energy loss at door opening	•
Protek.SAFE™ technology: electrical power absorption related to the real needs	•

### AUTOMATIC CLEANING

Rotor.KLEAN™: 4 automatic washing programs with detergent and water presence control	•
Rotor.KLEAN™: detergent tank integrated in the oven	•

### PATENTED DOOR

Door hinges made of high durability and self-lubricating techno-polymer	•
Reversible door, even after the installation	◦
Door docking positions at 60°-120°-180°	•

### AUXILIARY FUNCTIONS

Preheating temperature up to 260 °C	•
300+: allows to increase the maximum cooking temperature from 260°C to 300 °C	◦
Visualisation of the residual cooking time (when cooking not using the core probe)	•
Holding cooking mode «HOLD»	•
Continuous functioning «INF»	•
Visualisation of the set and real values of time, core probe temperature, cavity temperature, humidity, fan speed	•
Temperature unit in °C or °F	•

### TECHNICAL DETAILS

Rounded stainless steel (AISI 304) cavity for hygiene and ease of cleaning	•
Chamber lighting through external LED lights	•
Steam proof sealed MASTER.Touch control panel	•
High-durability carbon fibre door lock	•
Door drip pan with continuous drainage, even when the door is open	•
High capacity appliance drip pan	•
Light weight - heavy duty structure using innovative materials	•
Proximity door contact switch	•
2-stage safety door lock	◦
Autodiagnosis system for problems or break down	•
Safety temperature switch	•
Openable internal glass to simplify door cleaning	•
Stainless steel C-shaped rack rails with notched recesses for easy loading	•

### CERTIFICATIONS



## INTEGRATED TECHNOLOGY

**AIR.Maxi™:** The AIR.Maxi™ technology ensures perfect distribution of the air and therefore of the heat within the cooking chamber.

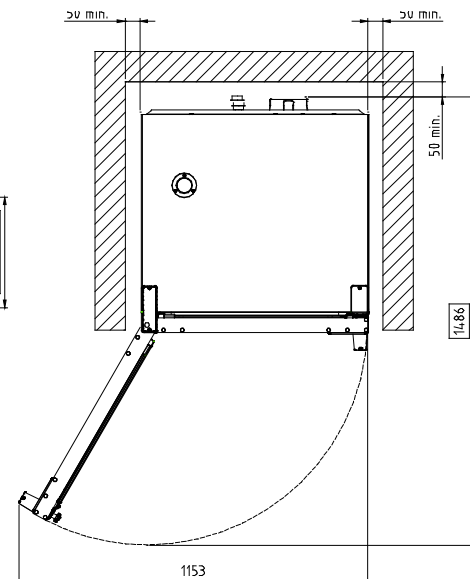
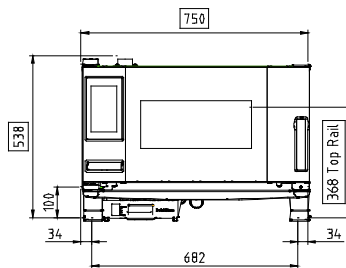
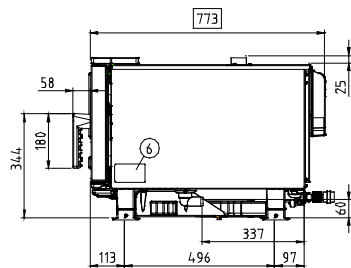
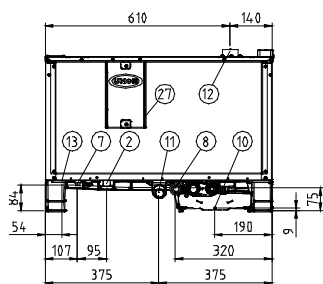
Multiple auto-reversing fans and high speed motors guarantee cooking uniformity in all pans: from those at the bottom of the oven to those at the top. The possibility of choosing from 4 air speeds and 4 semi-static modes allows any type of product to be cooked perfectly, from the most delicate items to products that require high temperatures and a high rate of heat transfer.

**STEAM.Maxi™:** Production of dense steam from 35 °C with extreme accuracy and minimal water consumption.

**DRY.Maxi™:** The DRY.Maxi™ technology rapidly extracts humidity from the cooking chamber and creates the ideal conditions for food that needs to be cooked in a completely dry environment. Oven baked products are soft, crisp and fragrant, grilled and browned meats retain their weight and flavor, vegetables maintain their perfect consistency. You can cook whatever you like, with Unox, quality comes as standard.

## COOKING ESSENTIALS

FAKIRO™ (Art.: TG875) Ribbed-flat aluminium plate for pizza and focaccia	Grill (Art.: TG885) Non-stick aluminium pan for grilling
No.Fry (Art.: GRP815) Stainless steel grid for steaming and french fries	FAKIRO™Grill (Art.: TG870) Non-stick ribbed-flat aluminium plate for grilling
Pollo (Art.: GRP825) Non-stick stainless steel grid to grill 8 chickens	Pan.Fry (Art.: TG905) Enamelled coated pan for frying
Pollo.Grill (Art.: GRP840) Stainless steel grid to grill 3 open chickens	Black.20 (Art.: TG895) Non-stick stainless steel pan


**DIMENSIONS**

mm

**DRAWING LEGEND**

- 2 TERMINAL BOARD POWER SUPPLY
- 6 TECHNICAL DATA PLATE
- 7 SAFETY THERMOSTAT
- 8 3/4" THREAD WATER INLET
- 10 Det&Rinse
- 11 CAVITY DRAIN PIPE
- 12 CHIMNEY
- 13 ACCESSORIES CONNECTION
- 27 COOLING AIR OUTLET

# XEVC-0311-E1R

**CAPACITY, DIMENSIONS, WEIGHT**

Capacity	3 GN1/1
Pan Spacing / Pitch	67 mm
Dimensions WxDxH	750x773x538 mm
Net Weight	50 kg

**POWER SUPPLY**

VOLTAGE	PHASE	CYCLE	TOTAL POWER	CURRENT	POWER CABLE	CORD
230	1+N	50/60 Hz	5 kW	21.5 A	HO7RN-F 3Gx4 mmq	NO
400	3+N	50/60 Hz	5 kW	7.4 A	HO7RN-F 5Gx2,5 mmq	YES

**WATER REQUIREMENTS**

- Water inlet: one (1) cold water inlets - drinking quality:  
 - one (1) untreated water inlet: 3/4" NPT\*, line pressure: 150-600 kPa \* Can manifold off of one 3/4" line.
- Water drain: 30 mm connection with a 25 mm minimum air gap installed at least 300 mm far away from the oven
- Water quality minimum standards: USING A WATER SUPPLY NOT MEETING UNOX'S MINIMUM WATER QUALITY STANDARDS WILL VOID ANY WARRANTY. It is the responsibility of the purchaser to ensure that incoming water supply is compliant with the specifications listed through adequate treatment measures.
- Contaminant Inlet Water Requirements (untreated water): Free Chlorine: less than 0.1 ppm (mg/L); Chloramine: less than 0.1 ppm (mg/L); Hardness: less than 3 gpg (52 ppm); Chloride: less than 25 ppm (mg/L); ph: 7.0 to 8.5; Alkalinity: less than 50 ppm (mg/L); Silica: less than 12 ppm (mg/L); Total Dissolved Solids (tds): less than 60 ppm

**INSTALLATION REQUIREMENTS**

- Oven must be installed level. Back-flow preventer integrated in the unit.  
 Installations must comply with all local electrical, plumbing and ventilation codes.

Register to access data and product specifications.

[infonet.unox.com](http://infonet.unox.com)
